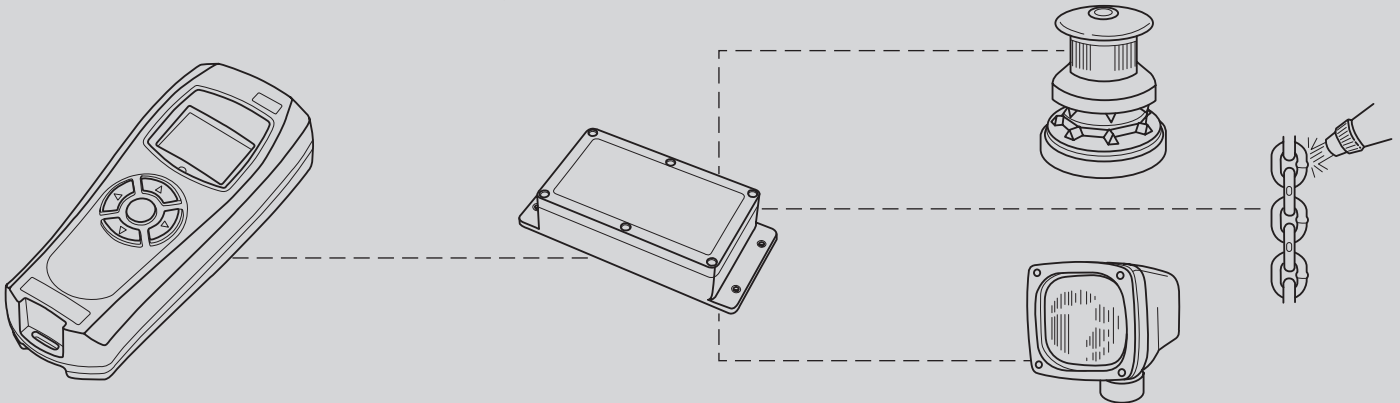


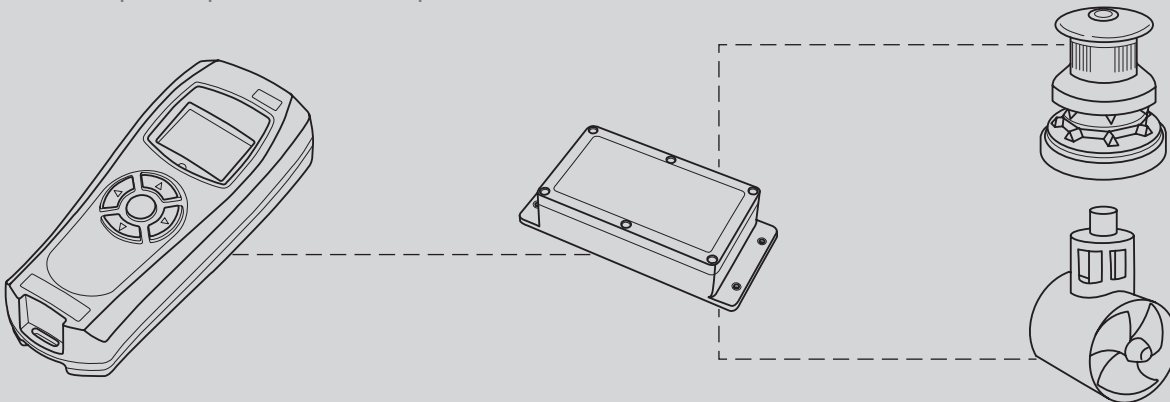
# AUTOANCHOR 710 WIRELESS REMOTE CONTROL FOR WINDLASSES AND THRUSTERS

## A SYSTEM WITH ONE BASE STATION (4 OUTPUTS) CAN OPERATE:

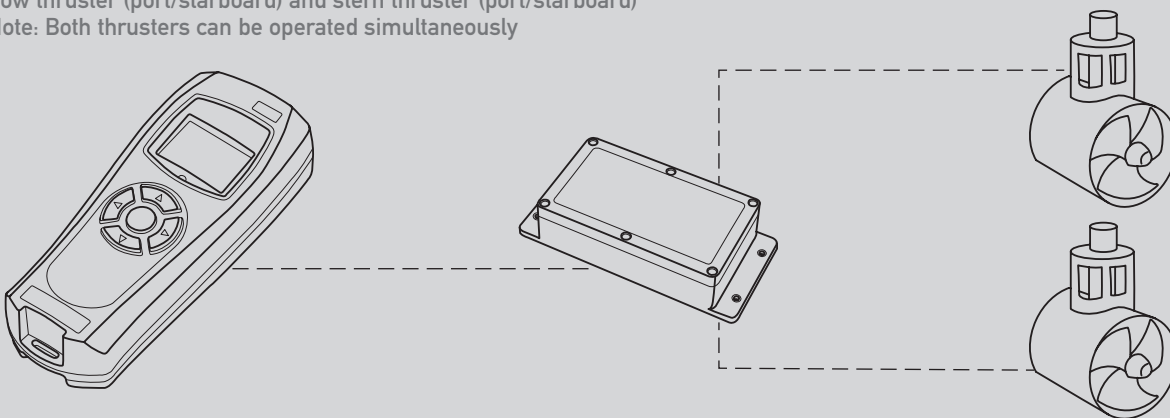
- 1 windlass (up/down) plus a deck wash and deck light



- 1 windlass (up/down) plus a bow thruster (port/starboard)



- Bow thruster (port/starboard) and stern thruster (port/starboard)  
Note: Both thrusters can be operated simultaneously

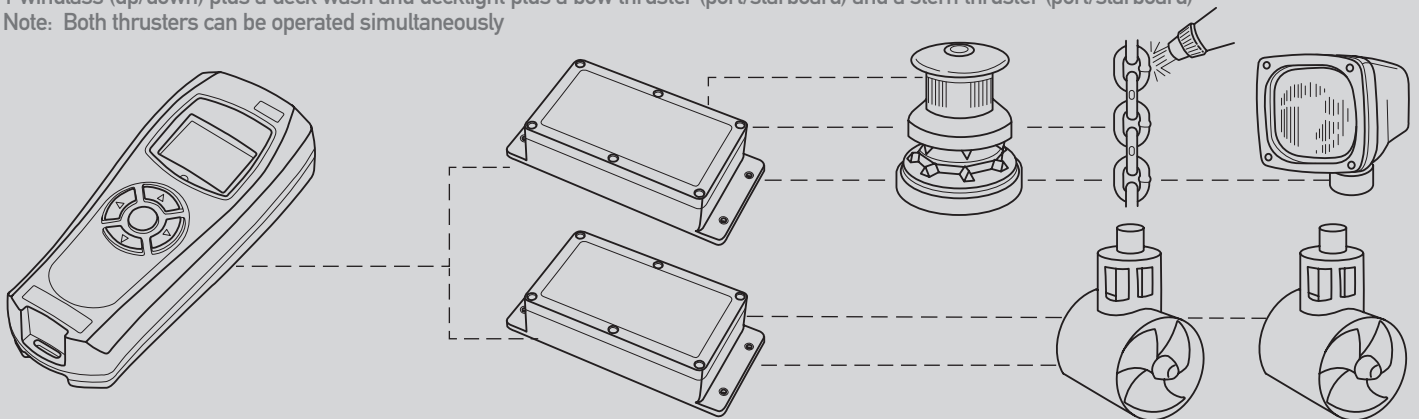


EXTRA CONSOLES: A system can be operated by up to 3 consoles.

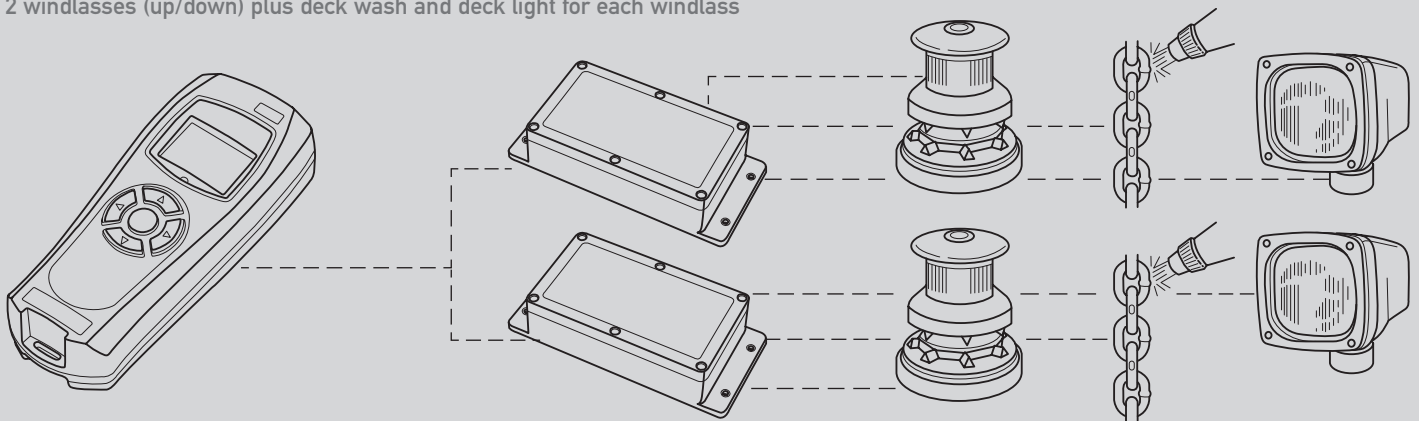
# AUTOANCHOR 710 WIRELESS REMOTE CONTROL FOR WINDLASSES AND THRUSTERS

## A SYSTEM WITH TWO BASE STATIONS (8 OUTPUTS) CAN OPERATE:

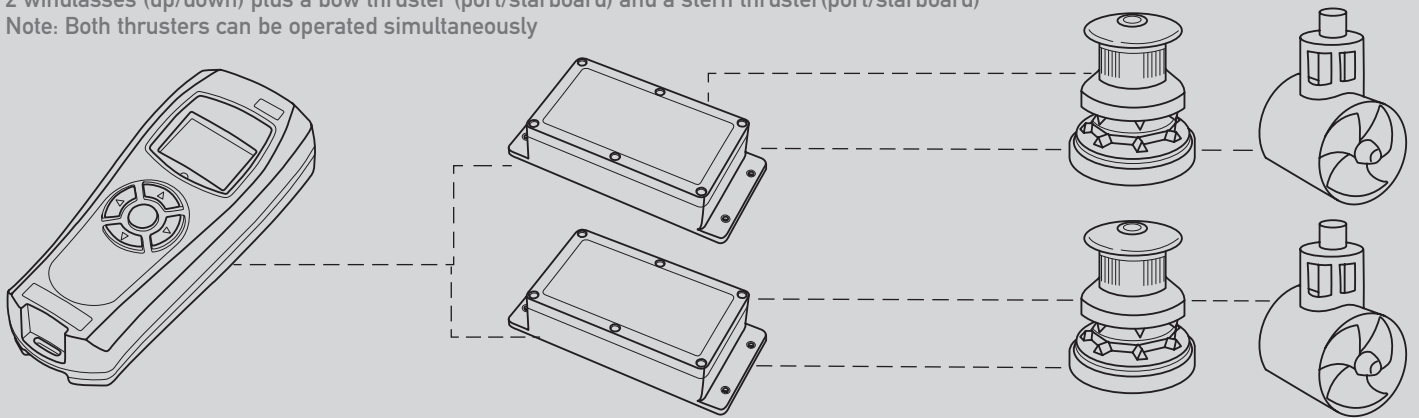
- 1 windlass (up/down) plus a deck wash and decklight plus a bow thruster (port/starboard) and a stern thruster (port/starboard)  
Note: Both thrusters can be operated simultaneously



- 2 windlasses (up/down) plus deck wash and deck light for each windlass



- 2 windlasses (up/down) plus a bow thruster (port/starboard) and a stern thruster (port/starboard)  
Note: Both thrusters can be operated simultaneously



EXTRA CONSOLES: A system can be operated by up to 3 consoles.