

AA702A.3: AC, HYDRAULIC AND PLC ALL CHAIN WIRING FOR 702/703 BASE STATION SYSTEMS

AA702 TERM	
BATT	(-)
BATT	(+)
OUT 1	(+)
OUT 2	(+)
OUT 3	(+)
OUT 4	(+)
OUT 5 White	(+)
OUT 6 Brown	(+)

AA702A Base Station Internal Connections

REFER TO SECTION 2.4.1

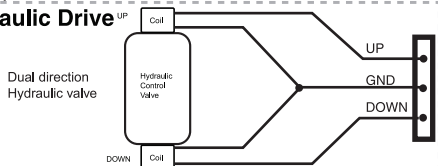
Notes:
 Unused outputs are automatically assigned as auxiliary outputs
 See owners manual section for more details
 All outputs are active high (+)



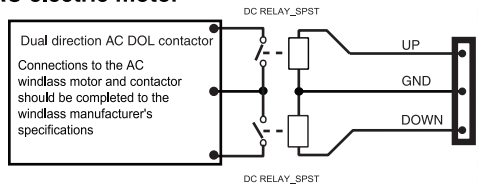
Note:
 Base station must be positioned to allow internal access during and after installation

Example windlass drives

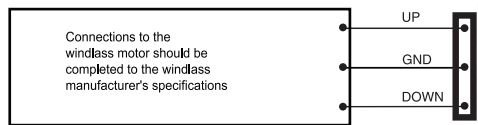
Hydraulic Drive



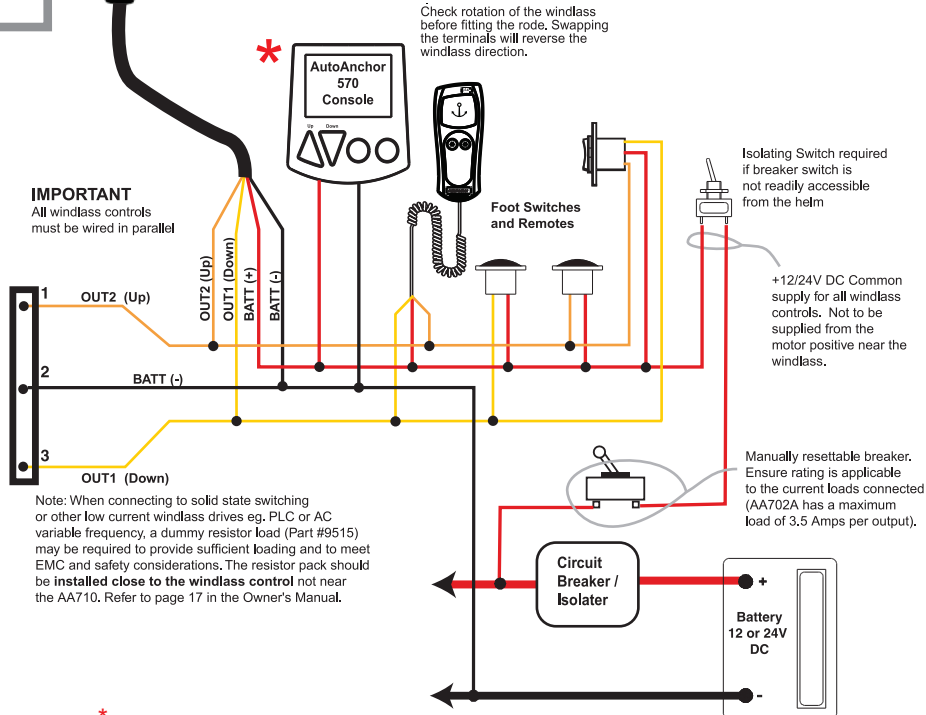
AC electric motor



AC VFD, PLC or solid state windlass drive



IMPORTANT
 All windlass controls must be wired in parallel



Note: When connecting to solid state switching or other low current windlass drives eg. PLC or AC variable frequency, a dummy resistor load (Part #9515) may be required to provide sufficient loading and to meet EMC and safety considerations. The resistor pack should be installed close to the windlass control not near the AA710. Refer to page 17 in the Owner's Manual.

WARNING: Power must be disconnected during installation and when making any changes to wiring after installation

The * AA570 can also be connected directly into any 12v or 24v protected power supply
 INSTALLATIONS MUST BE CARRIED OUT IN ACCORDANCE WITH USCG, ABYC, NMMA and BMEA REQUIREMENTS