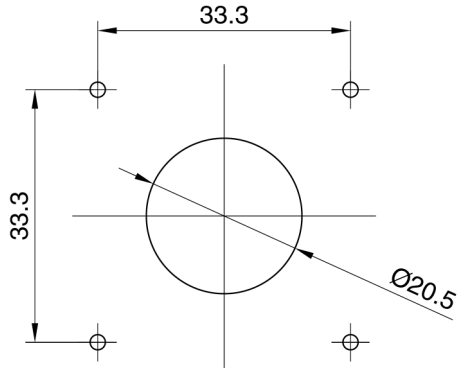


# AA300 Series Socket Template and Wiring



Dimensions in mm.

## WIRING CONNECTIONS



**THE POWER SUPPLY MUST BE DISCONNECTED WHEN INSTALLING, CONNECTING OR CHANGING THE WIRING**

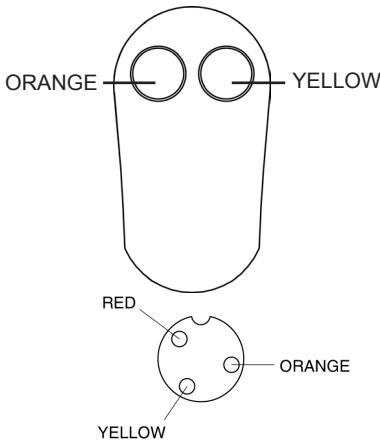
Follow the wiring diagram for electrical connections.

Ensure the controls are connected to operate in the correct direction.

Colour match the buttons to the wires.

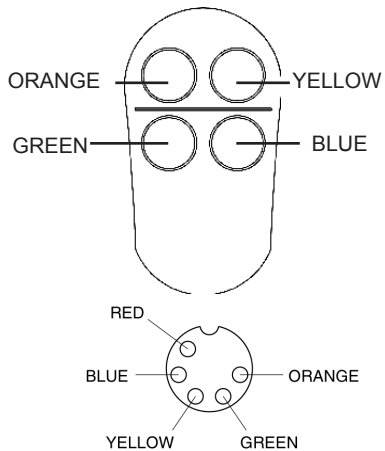
Red is the Common Positive (+)

### 2 BUTTON CONFIGURATION



3P SOCKET PIN ASSIGNMENT  
(Front View)

### 4 BUTTON CONFIGURATION



5P SOCKET PIN ASSIGNMENT  
(Front View)