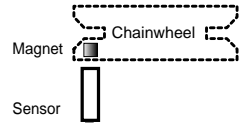
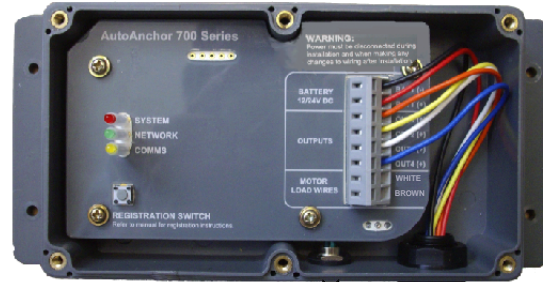


AA702.3: AC & Hydraulic All Chain Wiring for AA710 System

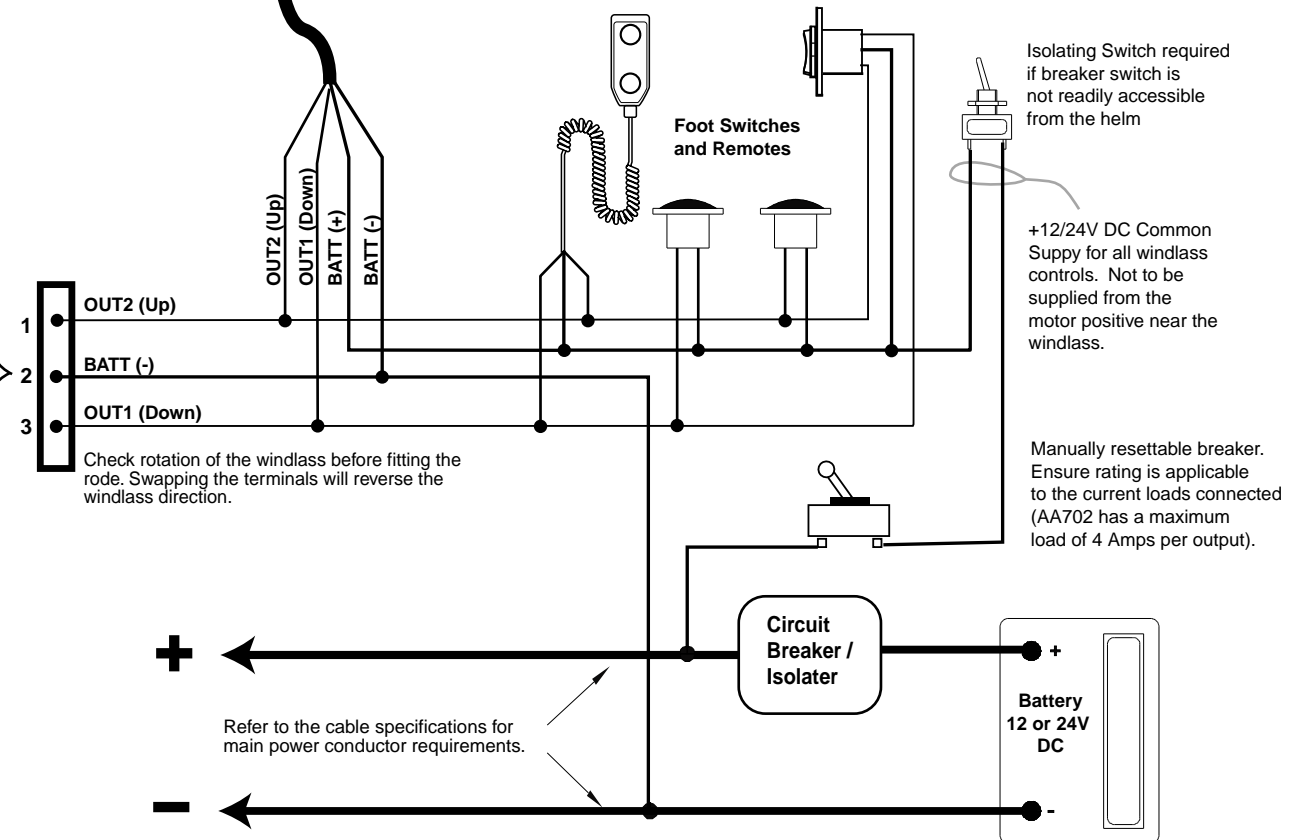
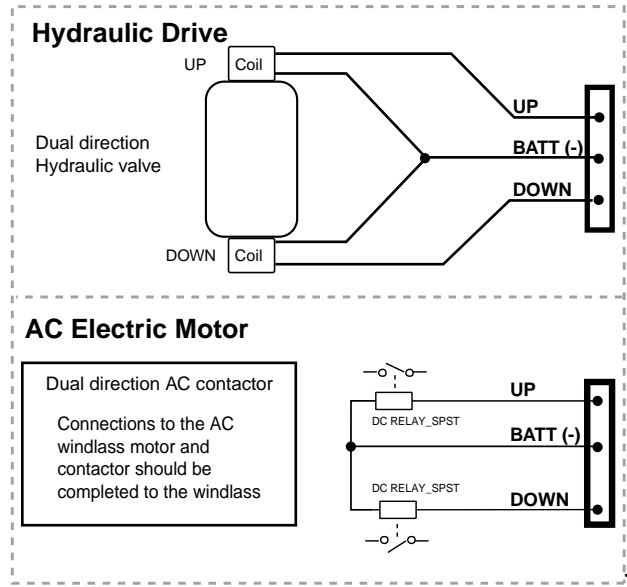
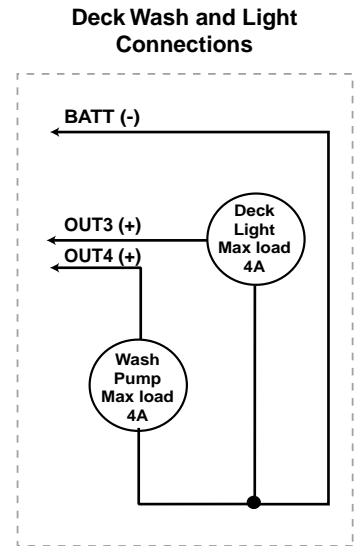


Note:
Base station must be positioned to allow internal access during and after installation



AA702 Base Station Internal Connections

- BATT (-)
 - BATT (+)
 - OUT1 (+) - Windlass Down
 - OUT2 (+) - Windlass Up
 - OUT3 (+) - Deck Light
 - OUT4 (+) - Deck Wash
 - # WHITE - Windlass (-) Motor Load wire
 - # BROWN - Windlass (+) Motor Load wire
- # Used for rope/chain counting only.



WARNING: Power must be disconnected during installation and when making any changes to wiring after installation

INSTALLATIONS MUST BE CARRIED OUT IN ACCORDANCE WITH USCG, ABYC, NMMA and BMEA REQUIREMENTS