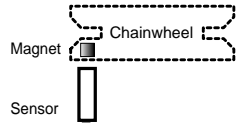


# AA702.1: Windlass Chain Only Wiring for AA710 System



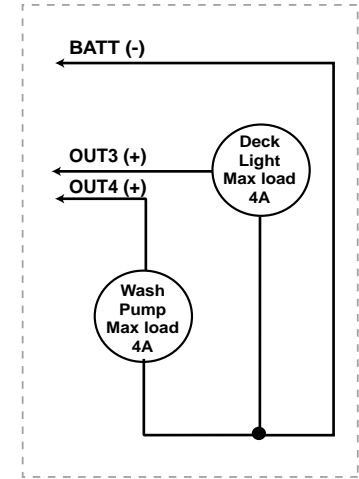
**Note:**  
Base station must be positioned to allow internal access during and after installation



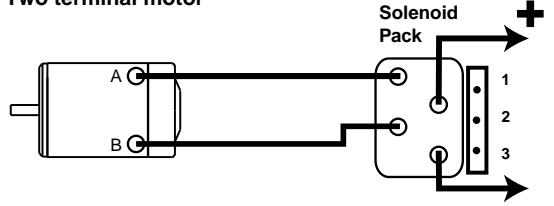
## AA702 Base Station Internal Connections

- BATT (-)
  - BATT (+)
  - OUT1 (+) - Windlass Down
  - OUT2 (+) - Windlass Up
  - OUT3 (+) - Deck Light
  - OUT4 (+) - Deck Wash
  - # WHITE - Windlass (-) Motor Load wire
  - # BROWN - Windlass (+) Motor Load wire
- # Used for rope/chain counting only.

## Deck Wash and Light Connections

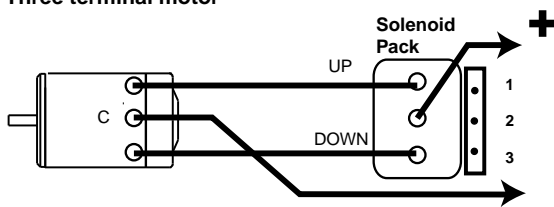


### Two terminal motor



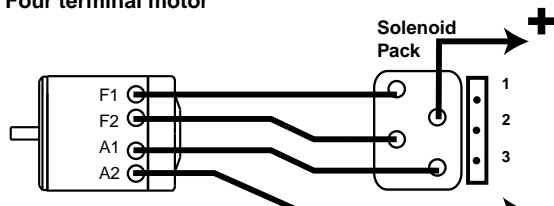
Refer to windlass manufacturer for motor wiring

### Three terminal motor



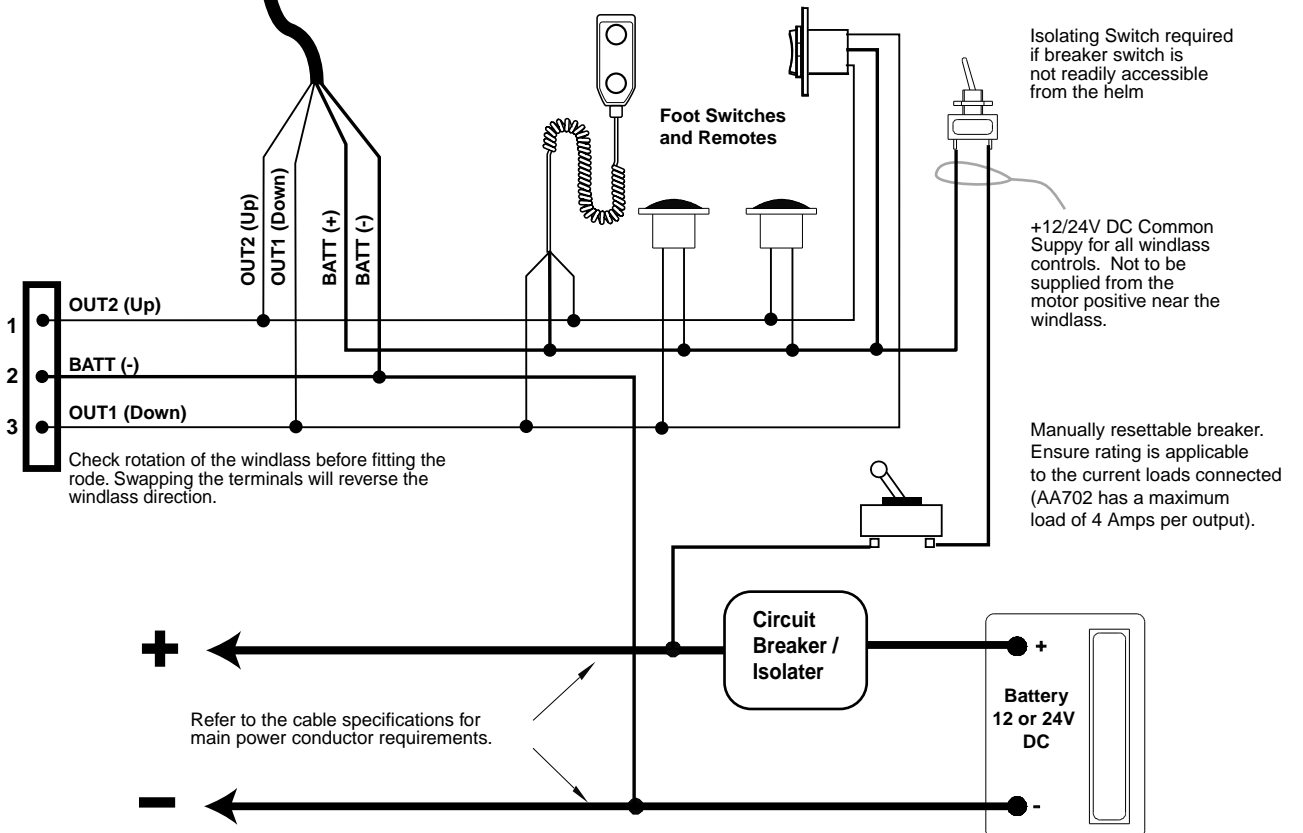
Refer to windlass manufacturer for motor wiring

### Four terminal motor



Refer to windlass manufacturer for motor wiring

**IMPORTANT:** All windlass controls must be wired in parallel



**WARNING:** Power must be disconnected during installation and when making any changes to wiring after installation

INSTALLATIONS MUST BE CARRIED OUT IN ACCORDANCE WITH USCG, ABYC, NMMA and BMEA REQUIREMENTS